

# ALEXIA GEN2 3 AXIS CNC



## DESIGN FEATURES

---

A COMPACT 3 AXIS CNC

---

SIMPLE, EASY TO USE SOFTWARE

---

TOUCH SCREEN CONTROL

---

EASY SINK CUT OUTS

---

EDGE PROFILING AND POLISHING

---

AUTOMATIC LUBRICATION SYSTEM

---

AUTOMATIC TOOL CHANGE WITH 23 STATIONS

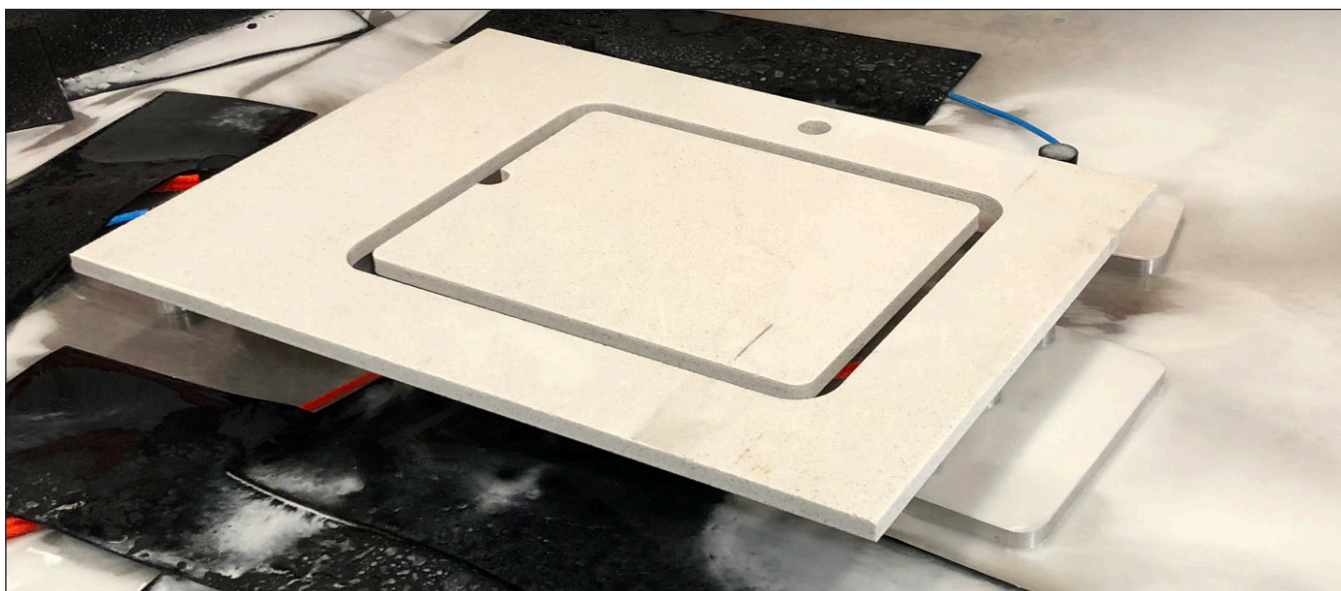
---

Founded in 2000 by the Farnese family, **Farnese Australia** are designers and manufacturers of stone cutting and polishing machinery in Australia. With an international reputation and decades of combined professional experience, and expertise, in both the stone industry and the local stone machinery manufacturing industry, Farnese are the first choice for stone fabricators. They continue to dominate this field in Australia and overseas with precision and innovation.

The team at **Farnese Australia** have the experience it takes to design, install and maintain the equipment needed in your industry.

The Alexia is an ideal, multi function CNC machine. It is equally suited to both small and large stone shops who have either low or high production requirements which call for both accuracy and efficiency.

Fitted with fully automatic tool changing and making use of it's 23 tool stations, the Alexia Gen 2 is capable of cutting, drilling and polishing almost any shape that you can imagine.

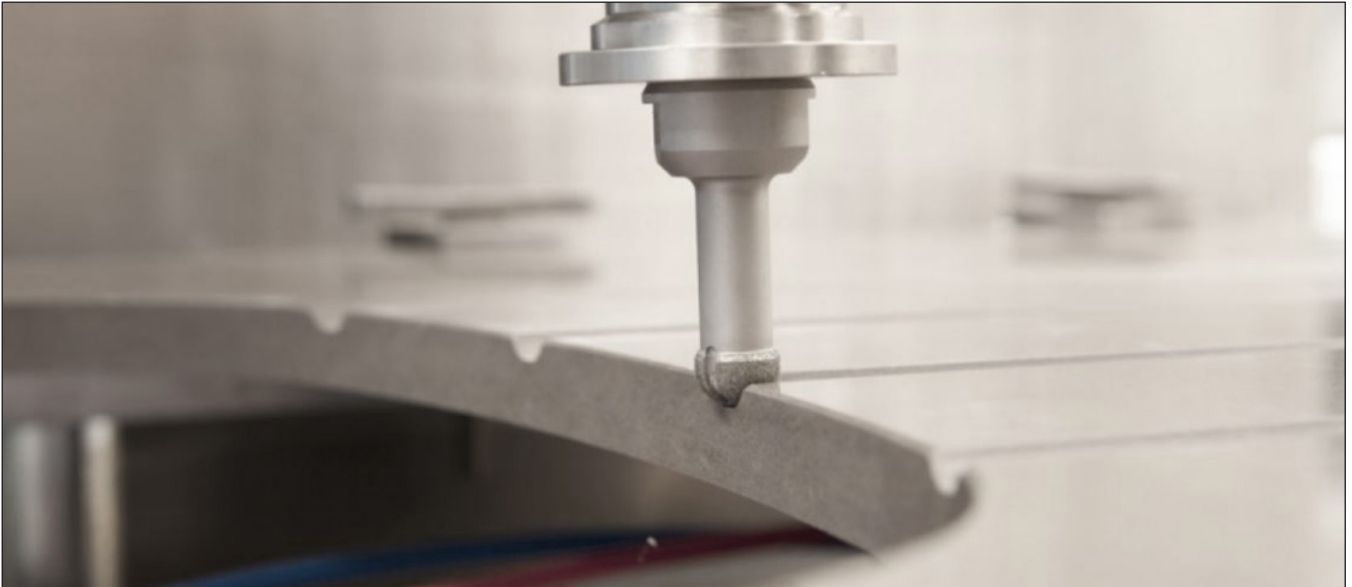


Like all Farnese machines, the Alexia Gen 2 is a user friendly machine, allowing for simple and easy set up and programming. A powerful, yet intuitive interface makes operating the Gen 2 a breeze. The MS Windows based operating system is intuitive and easy to understand, even for relatively inexperienced operators.

It comes pre-loaded with common sink templates from brands including Oliveri, Franke, Clark and Blanco.

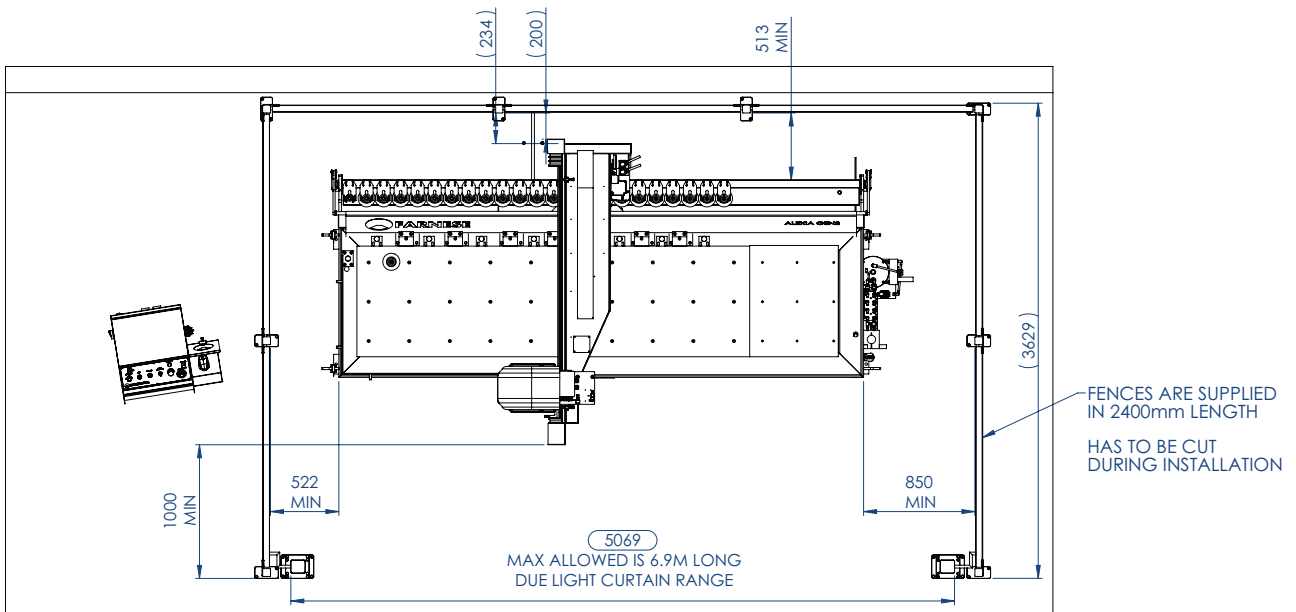
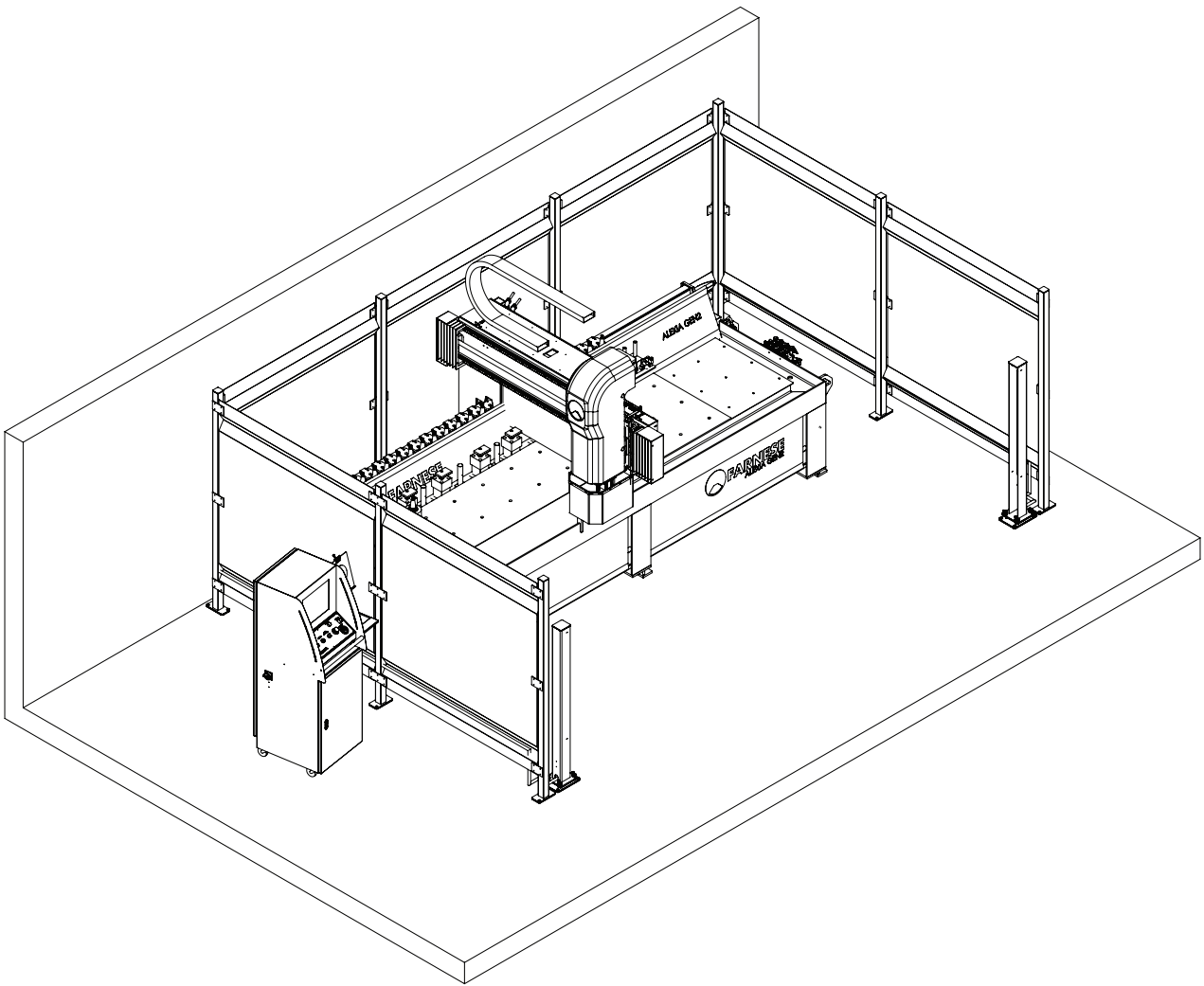
Edge profiles like bullnose, lambstongue, etc are easily achievable with the addition of optional tool sets

Inclined draining grooves can be cut directly into the benchtop or incorporated into a flat polished drainboard.

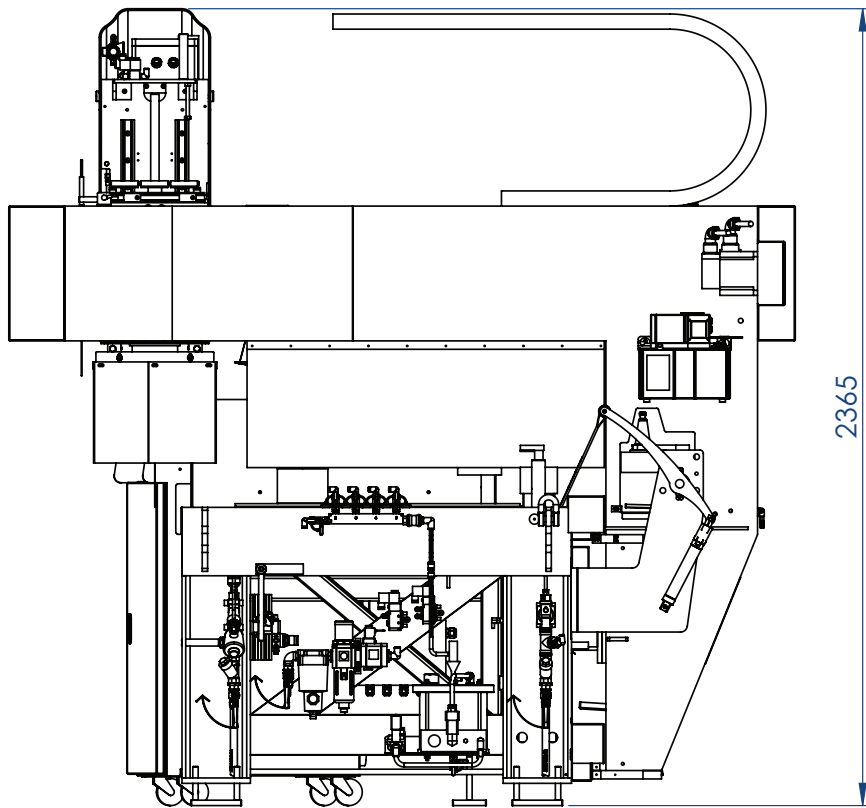
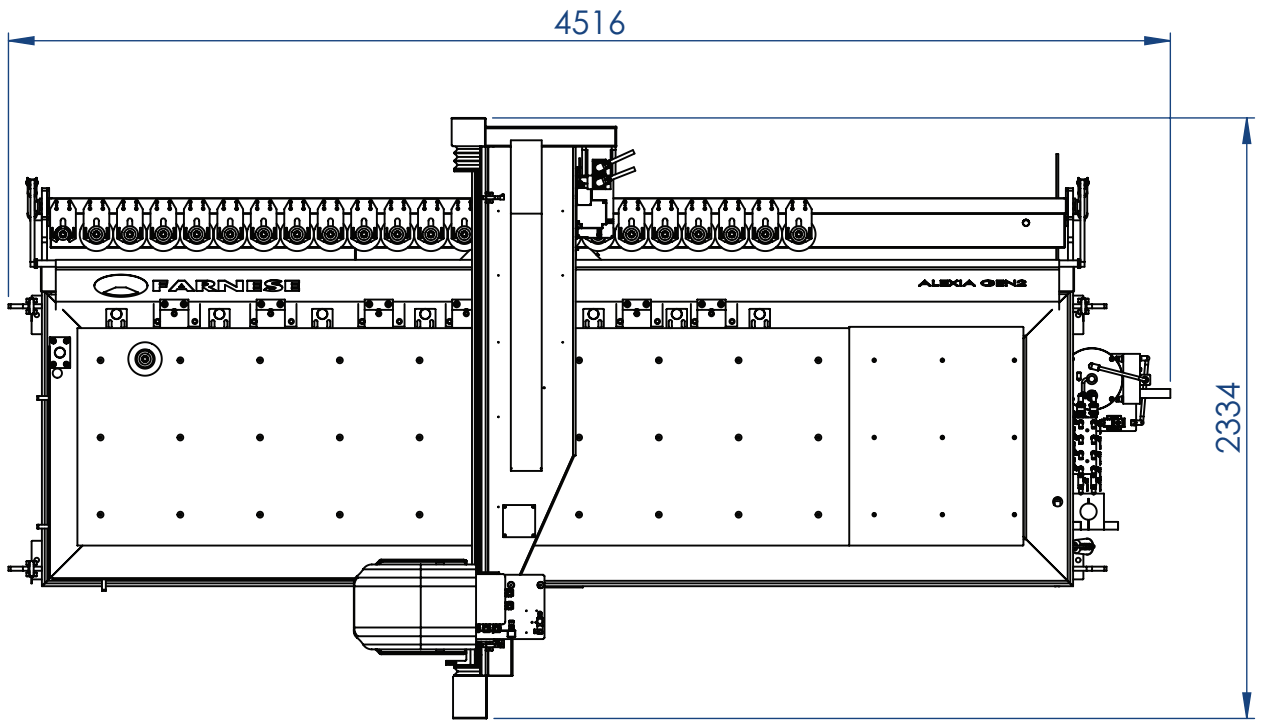


### Summary of Features

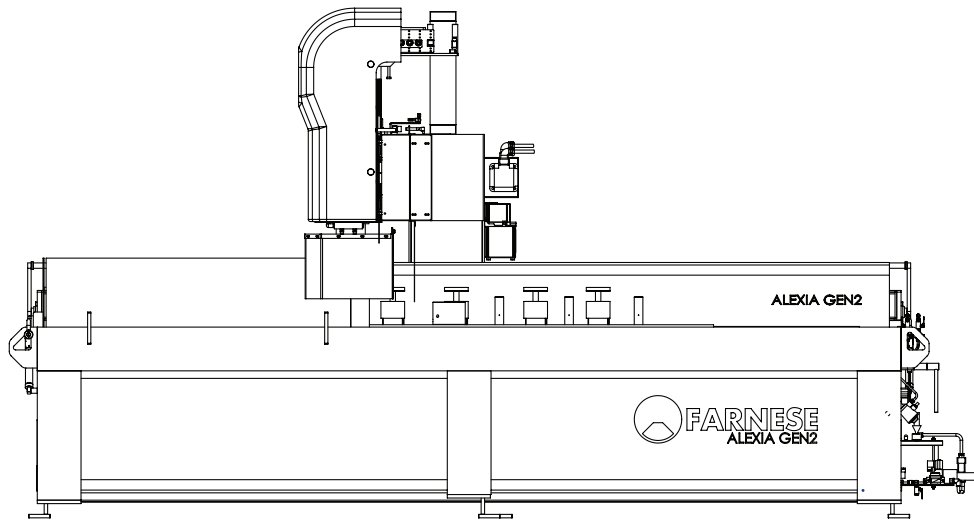
- **23 tool stations**
- **Easy sink cut outs**
- **Edge profiling and polishing**
- **Easy to use interface and software**
- **Automatic lubrication system**
- **After sales service**
- **Australian company**
- **Local supply of spare parts**
- **Remote access for troubleshooting help. Requires Internet access**



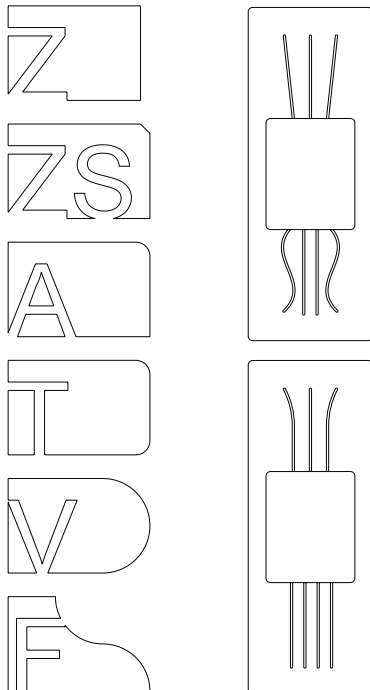
DESIGNED FOR FUNCTION, BUILT TO LAST.



# ALEXIA GEN2 3 AXIS CNC



## TECHNICAL SPECIFICATIONS



| DIMENSIONS OF INSTALLED MACHINE   | METRIC                               | IMPERIAL                |
|---|--------------------------------------|-------------------------|
| LENGTH  | 4200 mm                              | 165.4 in                |
| WIDTH   | 2200 mm                              | 86.6 in                 |
| HEIGHT  | 2300 mm                              | 90.6 in                 |
| WEIGHT  | 2500 kg                              | 5500 lb                 |
| <b>MAX SIZE OF SLAB</b> (Can be placed out of limit +200mm)                 |                                      |                         |
| LENGTH  | 4000 mm                              | 157.5 in                |
| WIDTH   | 1700 mm                              | 66.9 in                 |
| <b>FEATURES &amp; FEEDS</b>   |                                      |                         |
| X STROKE (CROSS TRAVEL STROKE)  | 3000 mm                              | 118.1 in                |
| Y STROKE (LONG TRAVEL STROKE)   | 1100 mm                              | 43.3 in                 |
| Z STROKE (HEAD UP AND DOWN)   | 200 mm                               | 7.9 in                  |
| AIR PRESURE (WORKING)   | 7 bar                                | 102 psi                 |
| AIR SPRESURE (CONSUMPTION)  | 350 l/min                            | 92.5 g/min              |
| WATER (CONSUMPTION)   | CLEAR 6.5 l/min<br>RECYCLED 50 l/min | 1.7 g/min<br>13.2 g/min |
| MAGAZINE  | YES / 23 POS                         | YES / 23 POS            |
| VACUUM CUPS   | YES                                  | YES                     |
| VACUUM GENERATOR  | YES                                  | YES                     |
| BACK CLAMPS   | YES                                  | YES                     |
| FRONT CLAMPS  | NO                                   | NO                      |
| AUTOMATIC GREASING  | YES                                  | YES                     |
| LASER CUTTING GUIDE   | YES                                  | YES                     |
| MICROSOFT WINDOWS COMPATIBLE  | YES                                  | YES                     |
| AUTOMATIC TOOL CHANGER  | YES                                  | YES                     |
| HANDWHEEL   | YES                                  | YES                     |
| MAIN SPINDLE POWER  | 6.6 kW                               | 8.8 hp                  |
| MAIN SPINDLE SPEED (MIN & MAX)  | 500 - 12000 rpm                      | 500 - 12000 rpm         |
| POWER REQUIRED  | 400v 3ph 50Hz<br>20A+ Neutral        | 208v 3ph 60Hz<br>40A    |
| CONNECTIONS REQUIRED (SUPPLIED BY CUSTOMER)<br>POWER, WATER, COMPRESSED AIR |                                      |                         |
| TOOLING   CONSULT YOUR LOCAL FARNESE DEALER FOR ANY TOOLING REQUIRED        |                                      |                         |

Owing to the constant updating of our designs, descriptions and technical data shown in our drawings and folders are not binding. Possible alterations deemed by the makers as convenient will be effected at any time without previous notice.

DESIGNED FOR FUNCTION, BUILT TO LAST.

## **We Know That Support Is Important To You**

Buying a new machine is a big commitment for anyone, and continued support throughout the life of that machine is vital.

Being an Australian company, Farnese carry a vast array of parts here in Australia to ensure that your machine always has the spares it needs. Enjoy peace of mind knowing that you'll be fully supported by Farnese and we'll always have you covered.

Farnese customers don't need to experience unnecessary machinery downtime waiting for remote assistance from other countries, as all the support and remote assistance is provided locally in Australia from our own qualified Technicians in Australian time.

With more Service Technicians in Australia than any of our competitors, our mission here at Farnese is to give you the best support in the industry. As we grow, we continue to recruit more and more qualified technicians, to further strengthen our position in the Stone Industry.

### **FARNESE AUSTRALIA PTY LTD**

5 Heald Road, Ingleburn NSW 2565 Australia  
ABN: 47 057 462 629 • ACN: 057 462 629  
Phone: 1300 075 678 • [www.farnese.com.au](http://www.farnese.com.au)

**Farnese Australia 5 Heald Road, Ingleburn NSW 2565 Australia**

**ABN: 47 057 462 629 • ACN: 057 462 629**

**PH 1300 075 678 [info@farnese.com.au](mailto:info@farnese.com.au)**